

## DSR-4470 INSTALLATION INSTRUCTIONS



The following instructions are for installation of a DSR-4470 IRD to receive STARZ, STARZ ENCORE, and PLEX services from Galaxy 37 C-Band or Galaxy 33 C-Band transponders. The DSR-4470 is a single-channel receivers providing HD/SDI-SDI, analog SD video and analog audio output.

The DSR-4470 IRD is designed for simple setup that requires only one (1) menu screen in the user interface, with all other configurations completed by the satellite broadcast control system, upon authorization. Follow the seven high-level steps below to set up your receiver and acquire the desired signal(s). Firmware update in step 6 is required before calling for authorization.

### Steps

1. Rack & mount the unit.
2. Connect RF satellite signal inputs.
3. Connect ASI/IP output(s).
4. Connect AC power.
5. Enter frequency and modulation parameters in the Quick Install menu, to gain Signal lock.
6. Allow the unit to process the mandatory firmware update.
7. Contact STARZ Affiliate Support at 888.783.2275, Opt. #2 for installation support and authorization.

Information is also provided on how to order a spare DSR-4470 IRD unit to backup your production receiver.

The DSR-4470 IRD user manual can be downloaded through the unit's web interface using a PC connection for additional operating instructions.

## 1. Rack Mount the DSR-4470 HD SERIES IRD

The DSR-4470 HD SERIES IRD unit, with the supplied mounting brackets is designed for installation in an EIA standard 19-inch (480 mm) equipment rack. Place the unit in a stable and level position within the rack and ensure that all front rack-ear mounting screws are fully tightened, to support the unit, with no possible motion, as connections are made and initial programming occurs.

## 2. Create RF Connections

Connect RF input signals according to the services you will be receiving. The DSR-4470 IRD includes 2 separate tuners allowing you to simultaneously receive feeds from multiple satellite transponders if required.

Port 1	Port 2
Galaxy 37 Vertical	Galaxy 33 Vertical



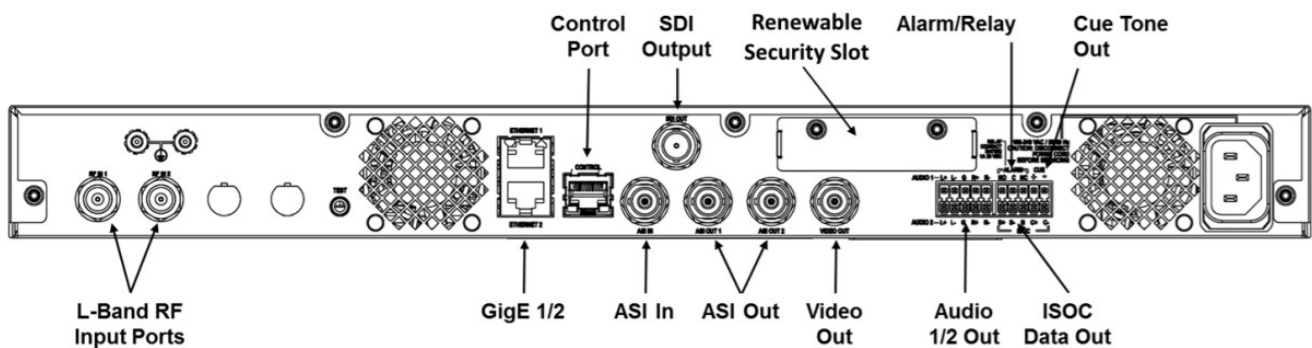
Galaxy 37 Vertical

Galaxy 33 Vertical

## 3. Create Output Connections

HD/SD-SDI Output connections are available via the SDI Output. Analog video is available via the Video Out Port. IP outputs are manually configured by the user and not controlled by the uplink.

*HEVC "Pass-through" services are unavailable by default.*



## 4. Connect to AC power

When connected to AC power the unit takes about 90 seconds to boot up.

When the unit has fully booted the main menu will appear.



DSR-4470 HD SERIES IRD Front Panel Control Buttons



## 5. Manually Tune, to gain Signal lock

Select Quick Install from the Main Menu by pressing the OK button with Quick Install highlighted.

The following information will be presented.

The first 2 lines are read only and show the Unit Addresses for your receiver. Write down these addresses for use in step 7, Authorization.

Lines 3 and 4 are used to configure your receiver to acquire the appropriate satellite signal.

### East Feed Configuration

QUICK INSTALL		
UA	000-11420-01681	
RF PORT 1	1110.0	17
DVBS2	32.500	
Enter OK to select		

Input Port – RF Port 1  
 Transponder – 17 (for Galaxy 37)  
 Frequency should automatically display: 1110.00 (Galaxy 37 T-17)  
 Modulation Mode -DVBS2  
 Symbol Rate – 32.50

### West Feed Configuration

QUICK INSTALL		
UA	000-11420-01681	
RF PORT 3	1050.0	20
DVBS2	32.500	
Enter OK to select		

Input Port – RF Port 3  
 Transponder – 20 (for Galaxy 33)  
 Frequency should automatically display: 1050.00 (Galaxy 33 T-20)  
 Modulation Mode -DVBS2  
 Symbol Rate – 32.50

*Note: Even when using multiple RF ports, only the first port needs to be defined in this menu.*

## Signal Acquisition

In a moment the Signal light will turn green indicating that the satellite signal has been acquired. If you are unable to acquire a signal call STARZ Affiliate Support at 888.783.2275, Opt #2 for assistance.



## 6. Code Download Firmware Update

Once the signal is locked, regardless of authorization status, a firmware upgrade will begin.

During the transfer of firmware, the Download LED will blink continuously. This will last approximately 60 minutes. Once the firmware download data transfer is completed, the Download LED will be lit solid.

Shortly after this occurs, the unit will reboot. The Download LED will go dark. The Signal LED will return upon boot up. Configurations remain intact.

## 7. Authorization

Once the unit has acquired the signal on Galaxy 37 transponder 17, or Galaxy 33 transponder 20 (for west feed only receivers), it is ready to be authorized using the 2 Unit Addresses UA1 and UA2 obtained from the Quick Install menu.

UA 1: \_\_\_\_\_ UA 2: \_\_\_\_\_

Contact STARZ Affiliate Support at 888.783.2275, Opt. #2 to verify your installation and to request unit authorization.

When the unit receives the authorization message, the Authorized light will turn green.



# Don't Forget Your Backup

---

With the transition of the STARZ, STARZ ENCORE, and MOVIEPLEX services to HEVC only distribution it's important to consider your backup options. The DSR-4410MD, DSR-6050, and DSR-6300 receivers will no longer be supported for new HEVC only distribution.

ARRIS's distributors have available inventory of the DSR-7400 HD SERIES IRD transcoder. You are encouraged to contact one of the distributors listed below to purchase a shelf-spare to guarantee sustained and uninterrupted delivery of the STARZ, STARZ ENCORE, and MOVIEPLEX

services to your subscriber base.

ARRIS authorized distributors:

Advanced Media Technologies  
3150 SW 15TH Street  
Deerfield Beach, FL 33442  
Phone: 888.293.5856 Fax: 954.427.9688

*Thank you for your continued support.*

TVC Communications 10814  
W. 78th St.  
Shawnee, KS 66214  
Phone: 800.932.1555  
Fax: 913-962-1806